

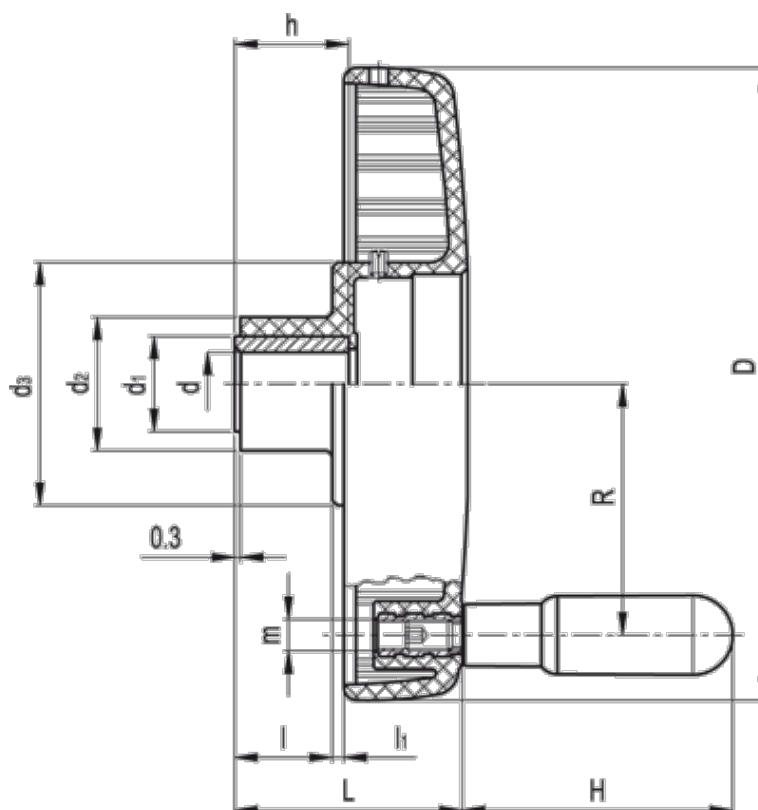
Data Sheet



Article number: 2307034081

Description: E+G Handwheel
VDSC.200-GXX2 A-20+I

Measures



D	= 200	L	= 70
d1	= 30	l1	= 2
d2	= 42	m	= M10
d3	= 76	R	= 81.0
d H7	= 20	Weight (g)	= 680
H	= 90		
h	= 34		
l	= 30		